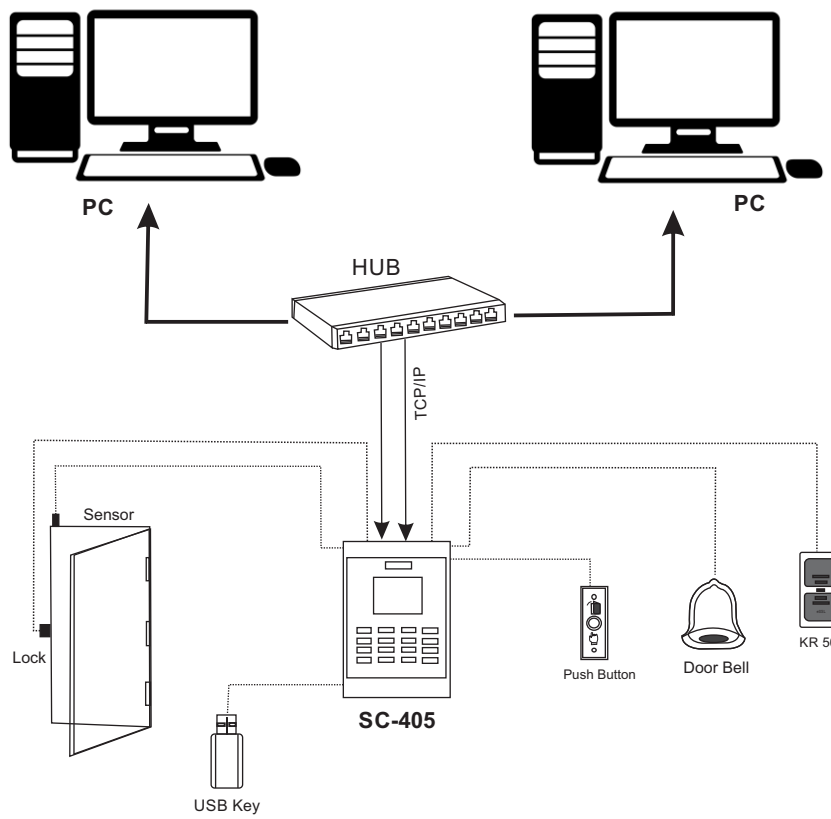
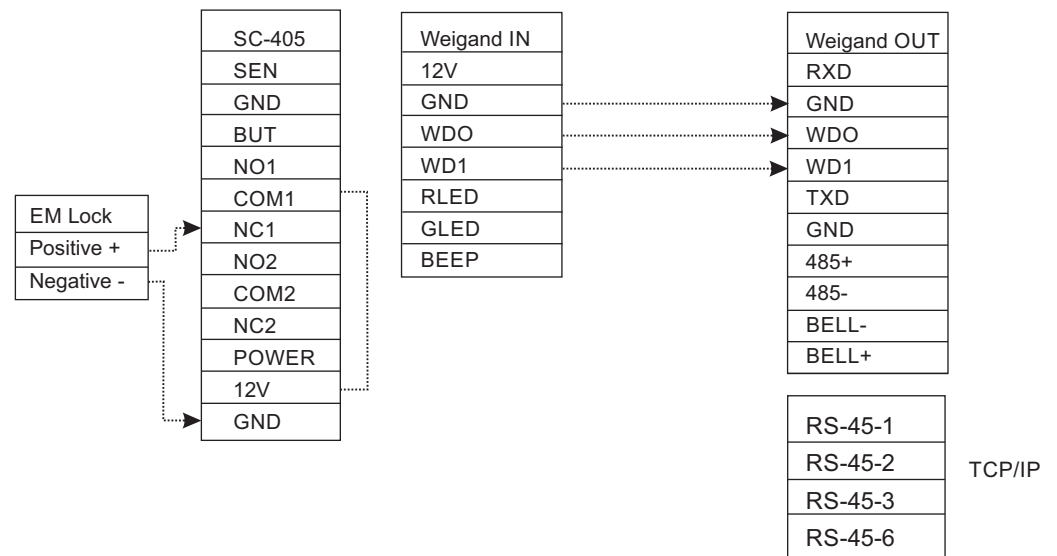


SC-405 Connection Diagram



SC-405 Master Device

SC-405 Slave Device



SC-405 with KR 500 and EM Lock Connection

